



## Allied Bolt

### Trailer Beam Bonding Clamp



#### Features

- Four way ground wire attachment point make installation easier and prevents tight bends in the ground wire when installing the clamp
- Ground wire can be attached to the clamp before it's installed
- Cup point on anchoring bolt pierces through paint, plating, or oxide to form a strong metal to metal bond
- Angle of anchoring bolt pulls clamp into the beam as it is tightened
- Clamps are marked with the corresponding UL listing number and the minimum and maximum wire size accepted (NEC requirement)

#### Application

Beam type bonding clamps are used to bond a ground wire to the frame of mobile homes and recreational vehicles. They are also used for bonding to the metal framework in communication pedestals, cable trays, equipment racks, and metal buildings. Trailer beam bonding clamps are suitable for grounding applications in telephone, cable, and satellite television. Clamps are compliant with the practices outlined in Articles 800, 810, 820 and Section 250.94 of the NEC.

#### Placement

Beam type bonding clamps can be placed on metallic parts that range in size from  $\frac{1}{8}$ " to  $\frac{5}{8}$ " thick. Clamp will accept ground wires ranging from #14 Solid to #6 Solid AWG. anchoring bolt is available with a  $\frac{1}{2}$ " hex head, or  $\frac{5}{16}$ " square head for installation with pliers. For more information on bonding to mobile homes or recreational vehicles refer to article 800.106 in the NEC.

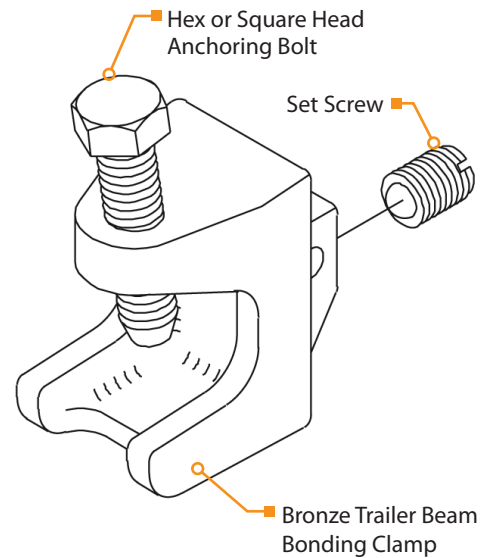
#### Material Specifications

- Body of clamp is cast from high-strength corrosion resistant silicon bronze
- Anchoring Bolt is formed from Grade 2 steel and zinc plated with a cup point end
- Ground wire retention set screw formed from 302 Stainless Steel with an oval point that will securely hold but not score the grounding conductor

# Trailer Beam Bonding Clamp

## Instructions

1. Choose a location to install the clamp.
2. Place the ground wire through two opposing holes under the set screw on the clamp. Tighten the set screw and bend the end of the ground wire 90°.
3. Place clamp on surface and tighten Anchoring Bolt.



## Ordering Information

ARRIS #	Mfg #	Description	Std Pkg
209602	6620HX	Clamp with Hex Head Bolt	50
209601	6620SQ	Clamp with Square Head Bolt	50

Specifications are subject to change without notice.

The capabilities, system requirements and/or compatibility with third-party products described herein are subject to change without notice. ARRIS, the ARRIS logo, Auspice®, C3™, C4®, C4c™, Cadant®, C-COR®, CHP Max®, ConvergeMedia™, Cornerstone®, CXM™, D5™, Digicon®, Flex Max®, Keystone™, MONARCH®, n5™, nABLE™, nVision®, OpsLogic®, OpsLogic® Service Visibility Portal™, PLEXIS®, PowerSense™, Regal®, ServAssure™, Service Visibility Portal™, TeleWire Supply®, TLX®, Touchstone®, VoiceAssure™, VSM™, and WorkAssure™ are all trademarks of ARRIS Group, Inc. Other trademarks and trade names may be used in this document to refer to either the entities claiming the marks and the names of their products. ARRIS disclaims proprietary interest in the marks and names of others. © Copyright 2009 ARRIS Group, Inc. All rights reserved. Reproduction in any manner whatsoever without the express written permission of ARRIS Group, Inc. is strictly forbidden. For more information, contact ARRIS.

