



Allied Bolt

Plate Style Bonding Connector for Meter Box



Features

- Connector's small body size makes installation possible in confined locations
- Connectors are stamped with the corresponding UL® Listing number and the minimum and maximum ground wire sizes accepted (NEC requirement)
- Ground wire insertion holes on the connector eliminate the need to pre-form a ground wire loop before attaching to connector
- Ground wire is easily captured by ground screw directly on the face of the connector as compared to competitive products that require a wire retaining washer
- Stamped projections on face of connector help retain ground wire and prevent it from unwrapping out of connector
- Mounting screws feature a special cutting tip that can pierce through hard finishes (ie; powder coat, paint) found on meter box frames to form a metal to metal bond
- Hex nuts lock against face of connector to prevent mounting screws from loosening
- Plate style meter box connectors accept ground wire ranging from #14 SOL to #10 SOL AWG
- UL® Listed file #E211717
- Lightning surge tested. Clamp passed 1,500 amps of current for 6 seconds (UL Requirement)

Application

Plate Style Meter Box Connectors are used to permanently attach a ground wire to the metallic lip of a meter box creating a bond to the common utility ground at the customer's premise. Meter box connectors are suitable for grounding applications in telephone, cable, and satellite television. Meter box connectors are compliant with the practices outlined in Articles 800, 810, 820 and Section 250.94 of the NEC.

Additional Features

- Tightening torque of ground screw exceeds 35 inch pounds (UL Requirement)
- Connector hardware is compatible with a 7/16" - 3/8" can wrench

Placement

The plate style meter box connector's "U" shaped body is designed to fit on the top rain lip of a meter box or breaker box. Installed connectors do not interfere with opening and closing the meter box.

Packaging

Corner meter box connectors are packaged 50 to a carton with 4 cartons in a case.

Material Specifications

Bracket

- Bracket is formed from corrosion resistant 304 Stainless Steel
- Bracket is passivated in compliance with ASTM A380 to alter the connector's surface. Passivation is the chemical removal of exogenous iron or iron compounds from the surface of stainless steel, enhancing the spontaneous formation of a protective passive film, extending the connector's service life

Plate Style Bonding Connector for Meter Box

Mounting Screws

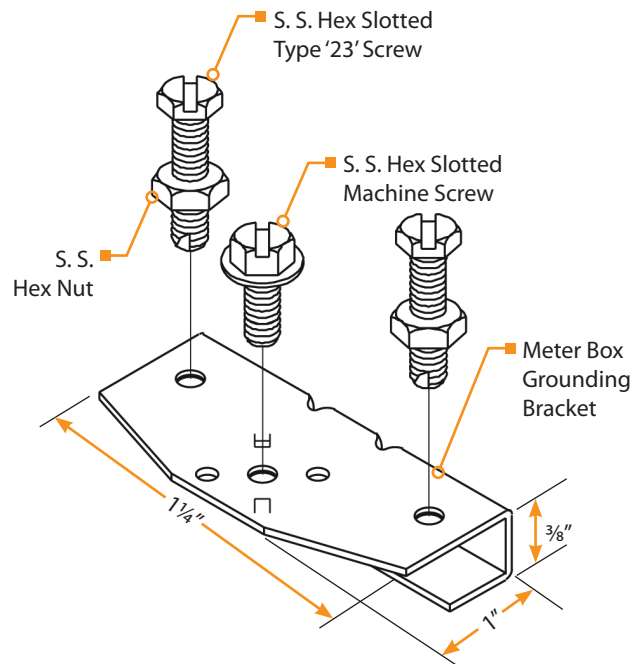
- Each Bracket is equipped with two 10-32 x 3/4" Type '23' slotted Hex thread cutting screws (mounting screws) and an attached 10-32 x 7/16" Hex nut on each mounting screw
- Type '23' thread cutting screws feature a single cutting edge and a chip cavity per ASME B18.6.4-1998
- Mounting screws and hex nuts are formed from 304 Stainless Steel

Ground Screws

- Each plate style meter box bonding connector is equipped with one ground screw
- Ground screws are 10-32 x 3/8" slotted hex washer machine screws
- Ground screws are formed from 304 Stainless Steel
- Ground screws are dyed "grounding green" for easy identification. Corner meter box connectors are packaged 50 to a carton with 4 cartons in a case

Instructions

1. Push Meter Box Connector over the top rain lip of meter box frame. Tighten the two attachment screws.
2. Tighten the two hex nuts on the attachment screws.
3. Remove 1 1/2" of jacket from the ground wire.
4. Attach "Ground Wire Warning Tag".
5. Place end of ground wire in one of the two holes under the ground screw. Wrap ground wire around grounding screw.
6. Tighten ground screw.



Ordering Information

ARRIS #	Mfg #	Description	Carton	Case
212221	3301	Bonding Connector for Meter Box	50	200

Accessories

ARRIS #	Mfg #	Description	Std Pkg
211884	38716	Can Wrench 3/8" - 7/16"	1

Manufactured in the United States.

The capabilities, system requirements and/or compatibility with third-party products described herein are subject to change without notice. ARRIS, the ARRIS logo, Auspice™, C3™, C4™, C4c™, Cadant™, C-COR™, CHP Max™, ConvergeMedia™, Cornerstone™, CXM™, D5™, Digicon™, Flex Max™, Keystone™, MONARCH™, n5™, nABLE™, nVision™, OpsLogic™, OpsLogic™ Service Visibility Portal™, PLEXIS™, PowerSense™, Regal™, ServAssure™, Service Visibility Portal™, TeleWire Supply™, TLX™, Touchstone™, VoiceAssure™, VSM™, and WorkAssure™ are all trademarks of ARRIS Group, Inc. Other trademarks and trade names may be used in this document to refer to either the entities claiming the marks and the names of their products. ARRIS disclaims proprietary interest in the marks and names of others. © Copyright 2009 ARRIS Group, Inc. All rights reserved. Reproduction in any manner whatsoever without the express written permission of ARRIS Group, Inc. is strictly forbidden. For more information, contact ARRIS.

