



## Allied Bolt

### Meter Box Deluxe Corner Bonding Connector



#### Features

- Patented leveling shim compensates for inconsistencies in the width of rain lips encountered on many meter boxes
- Connector sits flush on the meter box so penetrating screw is properly aligned
- Connector is stamped with the corresponding UL® Listing number and the range of sizes of ground wire each connector will accept (NEC requirement)
- Penetrating screw has a special cutting tip that can pierce through hard finishes (ie: powder coating, paint) found on meter box frames to form a metal-to-metal bond
- Lightning surge tested. Clamp passes 1,500 amps of current for 6 seconds (UL requirement)
- Connector hardware is compatible with a  $\frac{7}{16}$ " -  $\frac{3}{8}$ " can wrench
- UL® Listed file #E211717

#### Application

Corner Style Meter Box Connectors are designed to permanently bond a ground wire to the top corner of a meter box. The meter box is recognized as an effective grounding electrode for applications in telephone, cable, and satellite television. By securing ground wire to the meter box, communication cables are bonded to the common utility ground of the customer's premise. Meter Box Connectors are compliant with the practices outlined in Articles 800, 810, 820 and Section 250.94 of the NEC (National Electric Code).

#### Placement

Corner Style Meter Box Connectors are designed for installation on the top corner of a meter or breaker box. Installed connectors do not interfere with opening and closing the meter box. The connector clamps on the top of the meter box by bracing against the underside of the rain lip.

The front and side rain lips that form the corner of meter boxes are rarely the same width. In these situations, competitive corner connectors cannot provide a reliable permanent connection. These connectors can fall off since they are only supported on one side. Moreover, they may attach at an angle so that the penetrating screw does not sufficiently pierce the paint on the meter box resulting in insufficient ground contact.

Corner Meter Box Connectors have a patented leveling shim that compensates for an uneven edge formed on the rain lip. The shim is inserted inside mating slots on the body of the connector. Choosing the correct slots is determined by examining the size difference between the two sides of the rain lip. By shimming on the smaller side of the rain lip, the connector lies flush on the corner of the meter box.

Since connectors are evenly secured to two sides of the meter box, the thread cutting (penetrating) screw is properly positioned to penetrate the finish without skating. Proper alignment ensures that the connector forms the metal-to-metal contact necessary for an effective ground path.

In cases where the rain lip on the corner of the meter box is evenly sized, the leveling shim can be discarded.

## Material Specifications

### Connector Body

- The body of the Corner Style Meter Box Connector is available in two materials: ASME 1010 Steel with a fluorocarbon finish capable of withstanding over 1000 hours of salt spray without exhibiting red rust; or 304 Stainless Steel passivated in compliance with ASTM A380. Passivation is the chemical removal of iron compounds from the surface of stainless steel, enhancing the spontaneous formation of a protective passive film, extending the connector's service life.

### Penetrating Screw

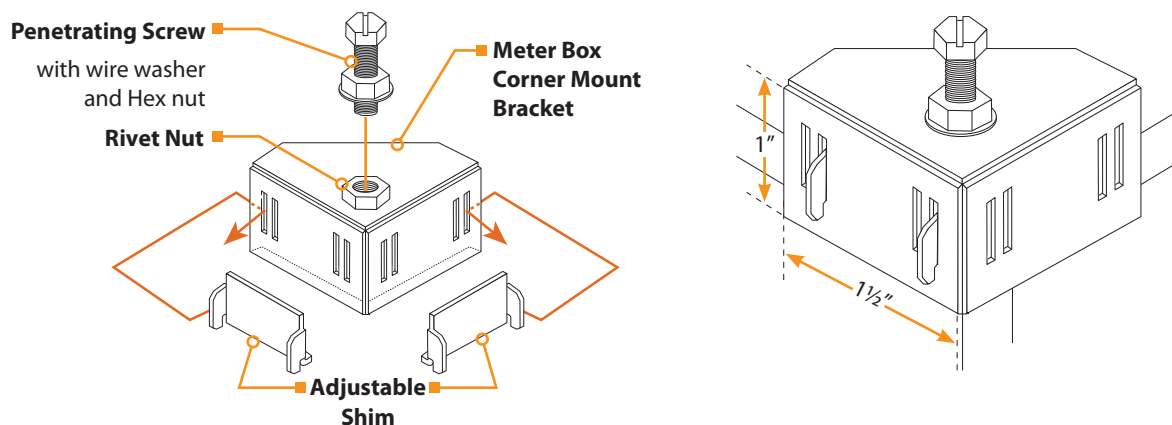
- Each connector is equipped with one 10-32 x 3/4" Type '23' slotted hex head thread cutting screw (penetrating screw) with an attached 10-32 x 7/16" hex nut.
- Type '23' thread cutting screws feature a single cutting edge and a chip cavity per ASME B18.6.4 - 1998.
- Penetrating screw and hex nut are formed from 304 stainless steel.

### Ground Connection

- Connector model numbers 856 and 1171 use a wire retaining washer that secures ground wire directly to the penetrating screw. These models are UL® Listed to accept ground wire ranging from #14 - #10 AWG SOL.
- Connector model numbers 1170 and 1172 use a ground wire attachment stud that is fastened by a 304 stainless steel stop nut (1/4 - 20) to the body of the connector. The ground wire is inserted in the stud and secured by a mating screw. These models are UL® Listed to accept ground wires ranging from #14 - #6 AWG SOL. The ground wire attachment stud and 10-32 x 3/8" slotted hex washer mating screw are machined from #270 brass alloy and nickel plated to prevent dissimilar metal contact.

## Installation

1. Place Connector on top corner of meter box. If connector does not sit flush on the meter box, insert leveling shim in one of the four positions. Placing the shim in the lower set of slots compensates for uneven rain lips by 1/8", adding shim to the upper set of slots will compensate by 3/16".
2. Tighten penetrating screw.
3. Remove 1" of jacket from ground wire.
4. Attach "Ground Wire Warning Tag."
5. Connector model numbers 856 and 1171 use the wire retaining washer to attach the ground wire directly to the penetrating screw.
6. Connector model numbers 1170 and 1172 use the ground wire attachment stud that is fastened to the connector body to secure ground wire. The ground wire is inserted in the stud and secured by tightening the mating screw.



# Meter Box Corner Bonding Connector

## Ordering Information

ARRIS #	Mfg #	Description	Carton	Case
712350	856	Deluxe Corner Bonding Connector for Meter Box; Fluorocarbon Steel; Accommodates Ground Wire Sizes #14 - 10 AWG SOL	50	200

## Accessories

ARRIS #	Mfg #	Description	Std Pkg
211884	38716	Can/ Terminal Wrench; 3/8" and 7/16" Hex Socket	1

Manufactured in the United States.

The capabilities, system requirements and/or compatibility with third-party products described herein are subject to change without notice. ARRIS, the ARRIS logo, Auspice®, C3™, C4®, C4c™, Cadant®, C-COR®, CHP Max®, ConvergeMedia™, Cornerstone®, CXM™, D5™, Digicon®, Flex Max®, Keystone™, MONARCH®, n5™, nABLE™, nVision®, OpsLogic®, OpsLogic® Service Visibility Portal™, PLEXIS®, PowerSense™, Regal®, ServAssure™, Service Visibility Portal™, TeleWire Supply®, TLX®, Touchstone®, VoiceAssure™, VSM™, and WorkAssure™ are all trademarks of ARRIS Group, Inc. Other trademarks and trade names may be used in this document to refer to either the entities claiming the marks and the names of their products. ARRIS disclaims proprietary interest in the marks and names of others. © Copyright 2009 ARRIS Group, Inc. All rights reserved. Reproduction in any manner whatsoever without the express written permission of ARRIS Group, Inc. is strictly forbidden. For more information, contact ARRIS.

